

The World's First Microwave Drawer™

INSIGHT•PRO™



It's the most
innovative idea yet
for where to put
the microwave.

SHARP®



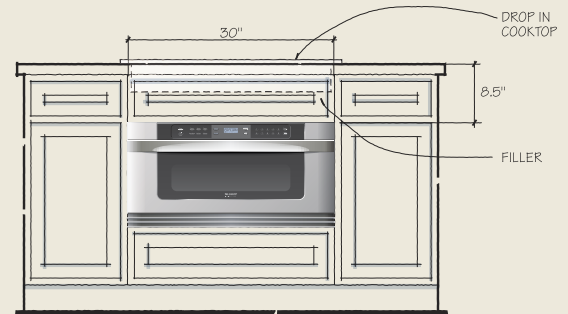
The Sharp Insight Pro™ Microwave Drawer

For more than thirty years, Sharp has been the name to trust for cooking innovations like the Carousel® microwave turntable. In 2004, Sharp introduced the award-winning Insight™ Range with the world's first Microwave Drawer. Now Sharp blends style and convenience in a remarkably versatile stand-alone product: the Insight Pro Microwave Drawer.

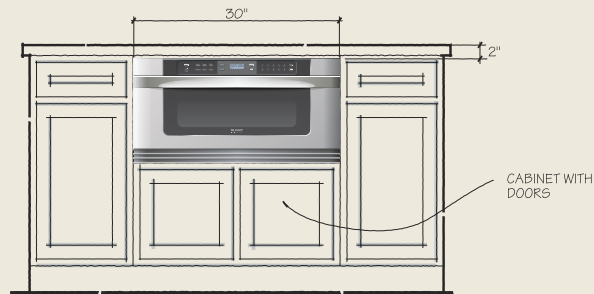
The Microwave Drawer offers a sleek, integrated look that's ideal for any kitchen, especially in islands or open-plan designs that offer little overhead cabinetry. It's also a great addition to a wet bar, family room or home theater. Installing easily under a counter or cooktop, it eliminates awkward installations and cluttered countertops while freeing the space above the range for a stylish or powerful ventilation hood.

This clever drawer design also places the microwave right at the most convenient height. Now microwave cooking is easier and safer for every cook in the family, with no need to remove the dish from the oven to check, stir or turn the food. For even greater convenience, the Microwave Drawer opens with the touch of a button.

With fresh thinking and insight into how consumers really use their kitchens, Sharp puts innovation and cooking convenience at your fingertips. The Insight Pro Microwave Drawer: it's the most exciting idea yet for where to put the microwave.



INSTALLATION WITH DROP IN COOKTOP



STANDARD INSTALLATION WITH DOORS BELOW



INSTALLATION WITH WARMING DRAWER BELOW





KB-6015KS

Design Flexibility

- Ideal for open-plan kitchens and islands
- Great addition to a wet bar, family room or home theater
- Built-in ready for easy installation with no additional kit required

Sophisticated Style

- Large viewing window, integrated handle and touch controls lend a sleek appearance
- Available in stainless steel, white or black finishes



Innovative Technology

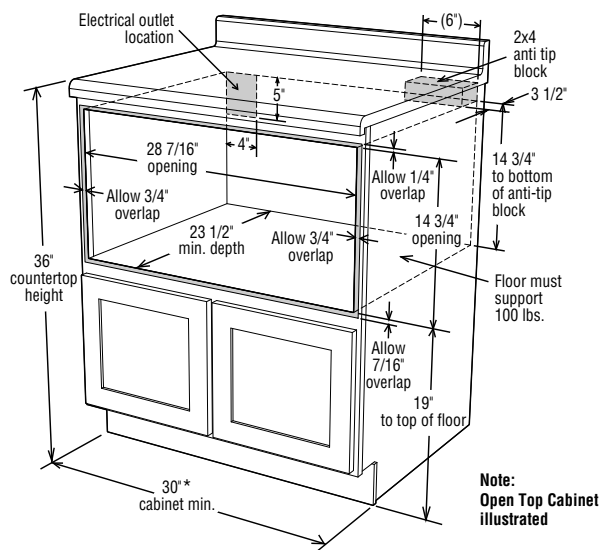
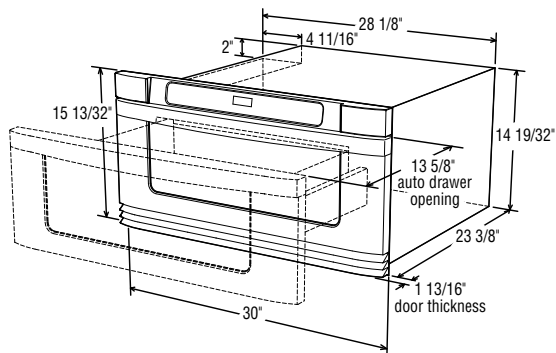
- World's first Microwave Drawer provides superb access
- Microwave sensor technology eliminates guesswork

Convenience and Accessibility

- Angled touch controls are convenient and easy to use
- Microwave Drawer opens with the touch of a button



Installation Instructions



* REFER TO CABINET MANUFACTURE FOR COMPATIBLE INTERIOR DIMENSIONS

The Microwave Drawer™ is featured in the Sharp Insight™ Range, winner of Kitchen & Bath Business Magazine's 2004 Product Innovator Award.



Sharp Electronics Corporation
 Sharp Plaza, Mahwah, NJ 07430-2135
 Call: 1-866-RANGE99
 or visit www.sharppusa.com/insight

Specifications

	FEATURES	KB-6015KK/KW/KS
Controls	Front-mounted touch controls, angled for easy viewing	•
	Digital LCD display	•
	Kitchen timer	•
	Control lock	•
	Demonstration mode	•
Microwave Drawer	1.0 cu. ft. capacity (holds 9" x 13" dish)	•
	1000W output power	•
	Microwave Drawer opening system	Automatic
	Sensor Cook, Reheat, Popcorn	11 settings
	Preprogrammed Reheat	3 settings
	Automatic Defrost	5 settings
	Microwave Keep Warm	Up to 30 minutes
	Variable power levels	11
	Programmable stages	4
	Clock	•
Minute Plus	•	
Color/Design	Integrated handle	•
	Color	KB-6015KS: Stainless KB-6015KK: Black KB-6015KW: White
Outside Dimensions	28 1/8" w x 15 13/32" h x 26 3/16" d (with handle)	
Approx. Shipping Weight	100 lb	
Power/Ratings	120V, 60Hz / 1.67kW, 14.5 Amps	
Safety Compliance	FCC, DHHS, UL listed	
UPC Codes	KB-6015KS: 074000 61251 8	
	KB-6015KK: 074000 61253 2	
	KB-6015KW: 074000 61252 5	
Warranty	1 year parts and 1 year labor with in-home service. The warranty continues for an additional 4 years, for a total of 5 years, on the magnetron tube for parts only.	

Design and specifications subject to change without notice.

SHARP®

© 2005 Sharp Electronics Corporation
 MA-06-102